

# 60G Excavator

39.6 kW (53 net hp)



JOHN DEERE

## FEATURES

Meets EPA Final Tier 4 (FT4)/EU Stage IV engine standards. Delivers a seamless operator experience with no machine performance interruptions during the regeneration process. Six-percent increase in fuel efficiency in economy mode.

Larger front windshield provides even better visibility; wider entryway eases entrance to/exit from the more spacious operator station.

Multifunction monitor displays vital machine operating info, tracks engine and hydraulic oil maintenance intervals, and provides access to auto shutdown and economy/power modes.

Standard joystick pattern changer and auxiliary hydraulics.

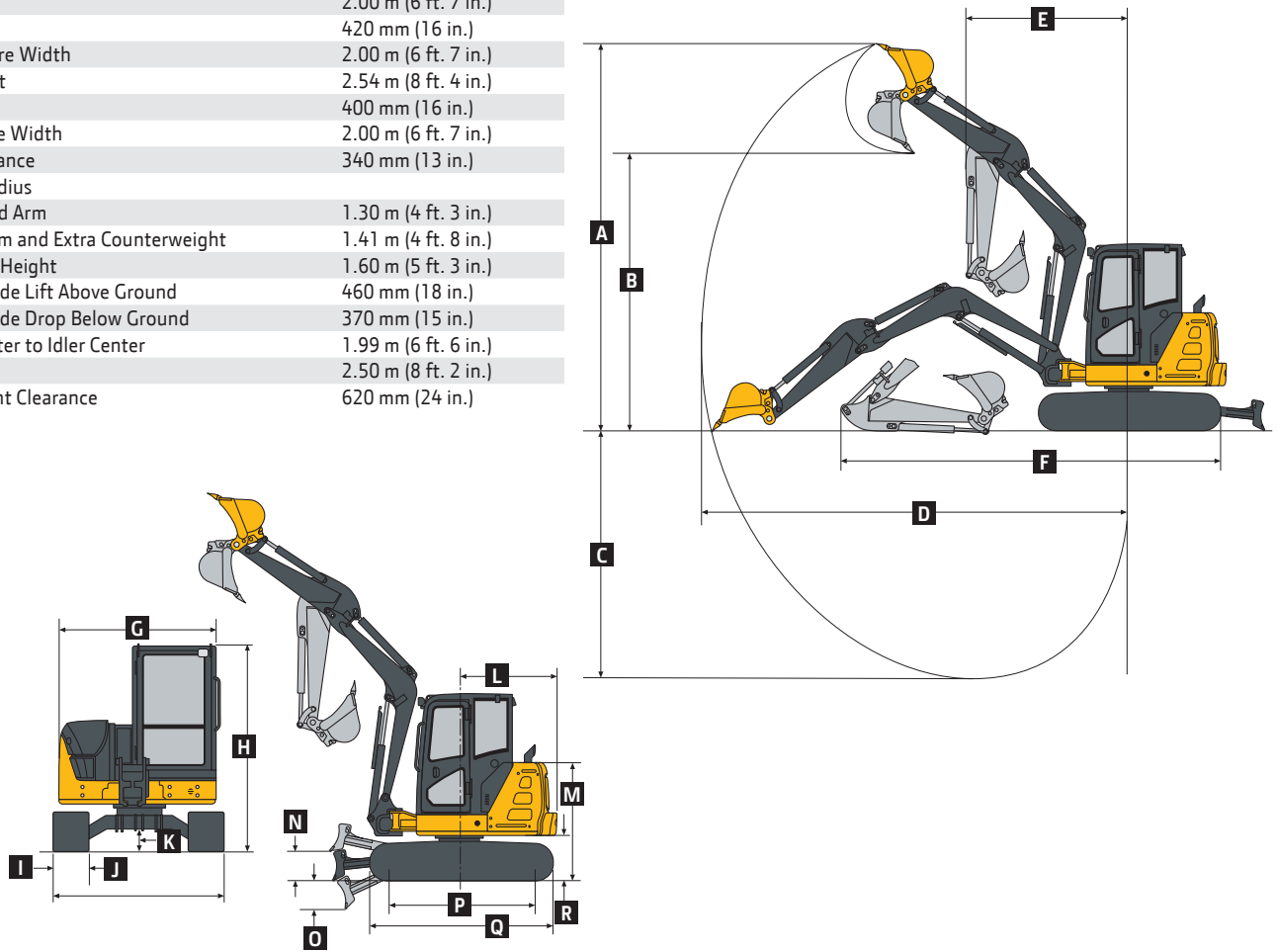
A service door provides easy access to side-by-side cooler cores, fuel filter/water separator, coolant overflow reservoir, battery, and Service ADVISOR™ connection.



<b>Engine</b>	<b>60G</b>			
Manufacturer and Model	Yanmar 4TNV98C-WHB			
Non-Road Emission Standard	EPA Final Tier 4/EU Stage IV			
Displacement	3.3 L (203 cu. in.)			
Net Power (ISO 9249)	39.6 kW (53 hp) at 2,000 rpm			
<b>Powertrain</b>				
<b>Maximum Travel Speed</b>				
Low	2.9 km/h (1.8 mph)			
High	4.8 km/h (3.0 mph)			
<b>Hydraulics</b>				
<b>Main Pumps</b>	One variable-displacement pump			
Maximum Rated Flow	144 L/m (38.0 gpm)			
Auxiliary Flow	92 L/m (24.2 gpm)			
<b>Upperstructure</b>				
Swing Speed	9.5 rpm			
Independent Swing Boom	<i>Canopy</i>	<i>Cab</i>		
Left	80 deg.	80 deg.		
Right	60 deg.	60 deg.		
Counterweight				
Standard	745 kg (1,642 lb.)			
Additional	270 kg (595 lb.)			
<b>Operating Weights</b>				
	<i>1500-mm (4 ft. 11 in.) Standard Arm, Standard Counterweight, and Rubber Tracks</i>	<i>1500-mm (4 ft. 11 in.) Standard Arm, Standard Counterweight, and Steel Tracks</i>	<i>1850-mm (6 ft. 1 in.) Long Arm, Extra Counter- weight, and Rubber Tracks</i>	<i>1850-mm (6 ft. 1 in.) Long Arm, Extra Counter- weight, and Steel Tracks</i>
With 0.22-m <sup>3</sup> (7.8 cu. ft.) Bucket, Full Fuel Tank, and 79-kg (175 lb.) Operator	6145 kg (13,547 lb.)	6245 kg (13,768 lb.)	6443 kg (14,204 lb.)	6543 kg (14,425 lb.)
Optional Angle Blade	458 kg (1,010 lb.)			

Operating Dimensions		60G	
		1500-mm (4 ft. 11 in.) Standard Arm	1850-mm (6 ft. 1 in.) Long Arm
A	Maximum Cutting Height	5.96 m (19 ft. 7 in.)	6.19 m (20 ft. 4 in.)
B	Maximum Dumping Height	4.17 m (13 ft. 8 in.)	4.41 m (14 ft. 6 in.)
C	Maximum Digging Depth	3.77 m (12 ft. 4 in.)	4.12 m (13 ft. 6 in.)
D	Maximum Digging Reach	6.23 m (20 ft. 5 in.)	6.56 m (21 ft. 6 in.)
E	Minimum Front Swing Radius	2.45 m (8 ft. 0 in.)	2.54 m (8 ft. 4 in.)
F	Transport Length	5.76 m (18 ft. 11 in.)	5.90 m (19 ft. 4 in.)
Breakout Force (ISO 6015)			
	Bucket	41.1 kN (9,237 lb.)	41.0 kN (9,217 lb.)
	Arm	31.1 kN (6,989 lb.)	27.0 kN (6,063 lb.)

Machine Dimensions	
Blade	
Width	2.00 m (6 ft. 7 in.)
Height	420 mm (16 in.)
G	Upperstructure Width
H	Overall Height
I	Track Width
J	Undercarriage Width
K	Ground Clearance
L	Tail-Swing Radius
	With Standard Arm
	With Long Arm and Extra Counterweight
M	Engine Cover Height
N	Maximum Blade Lift Above Ground
O	Maximum Blade Drop Below Ground
P	Sprocket Center to Idler Center
Q	Track Length
R	Counterweight Clearance



Lift Capacities									
Ground Level at 3.05-m (10 ft.) Radius	Standard Counterweight and Rubber Tracks		Standard Counterweight and Steel Tracks		Additional Counterweight and Rubber Tracks		Additional Counterweight and Steel Tracks		
	Over Front*	Over Side	Over Front*	Over Side	Over Front*	Over Side	Over Front*	Over Side	
Arm									
1500-mm (4 ft. 11 in.) Standard	<b>3785 kg</b> <b>(8,345 lb.)</b>	1463 kg (3,225 lb.)	<b>3785 kg</b> <b>(8,345 lb.)</b>	1490 kg (3,284 lb.)	<b>3785 kg</b> <b>(8,345 lb.)</b>	1657 kg (3,652 lb.)	<b>3785 kg</b> <b>(8,345 lb.)</b>	1683 kg (3,711 lb.)	
1850-mm (6 ft. 1 in.) Long	<b>3719 kg</b> <b>(8,198 lb.)</b>	1444 kg (3,184 lb.)	<b>3719 kg</b> <b>(8,198 lb.)</b>	1471 kg (3,243 lb.)	<b>3719 kg</b> <b>(8,198 lb.)</b>	1638 kg (3,612 lb.)	<b>3719 kg</b> <b>(8,198 lb.)</b>	1665 kg (3,671 lb.)	

\*Blade down (limited by hydraulics).

